

Centurion

Safety Shower & Eye Washer

Technical Data Sheet

Safety Shower & Eye Washer

Model:S100



The combination safety shower & eyewash unit saves space and fits easily into any work environment, allow workers to flush away hazardous substances that can cause injury. The shower valve operates quickly by a pull rod with a round handle. Shower provides a superior washdown with a more even spray pattern. eyewash operated by a large, attractive push handle. safe, steady water flow under varying water supply conditions from 0.2-0.8 Mpa is assured by integral flow control valve assembly.

Technical Details:

- 1.**Material:**Galvanized Steel with green epoxy coating
- 2.**Shower Head/Bowl:**ABS plastic in safety green color
- 3.**Shower Handle:**304 Stainless Steel
- 4.**Spray Head:**ABS plastic in safety green color
- 5.**Valve:**Shower valve is making of 1" SS ball valve.

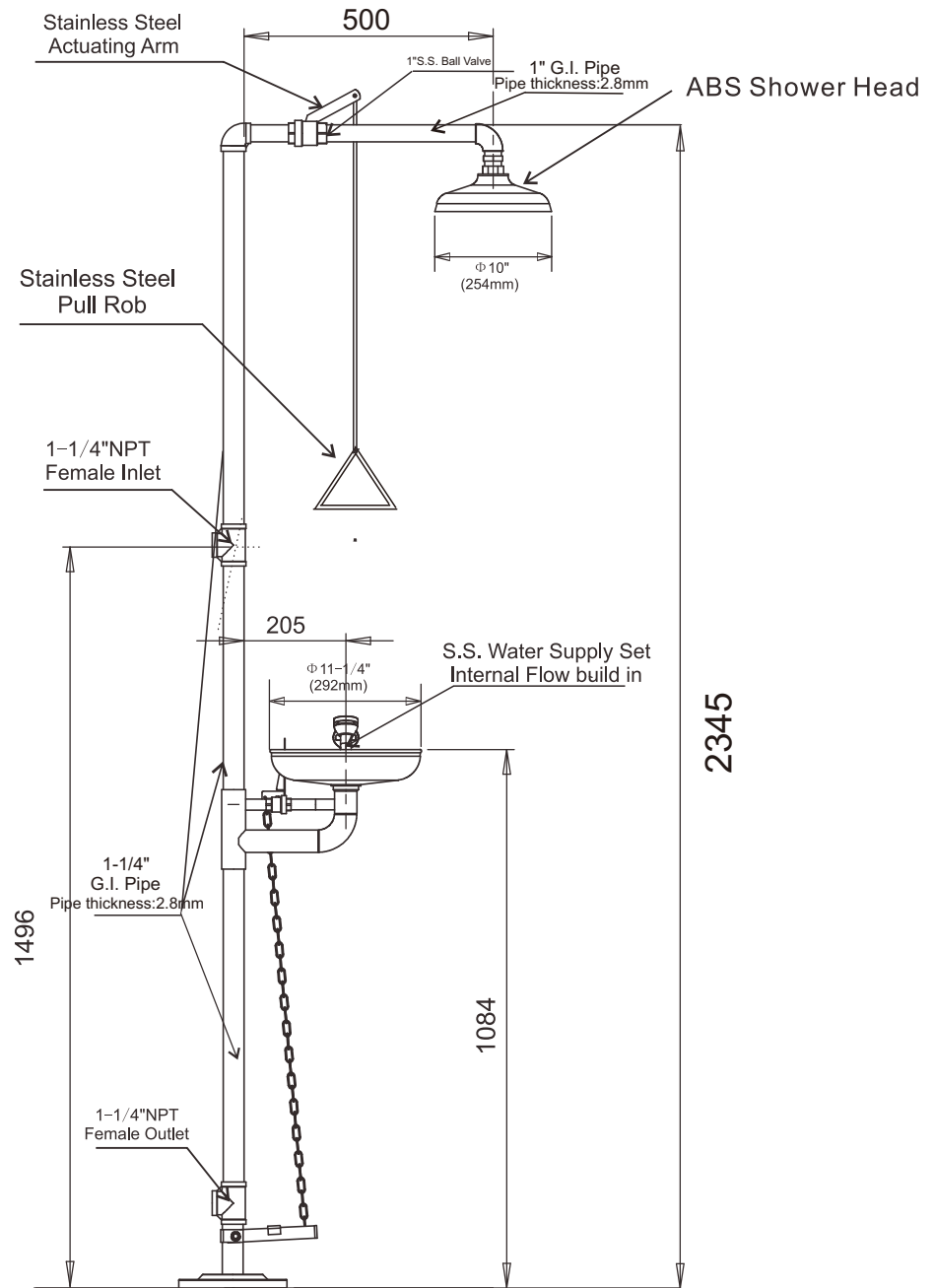
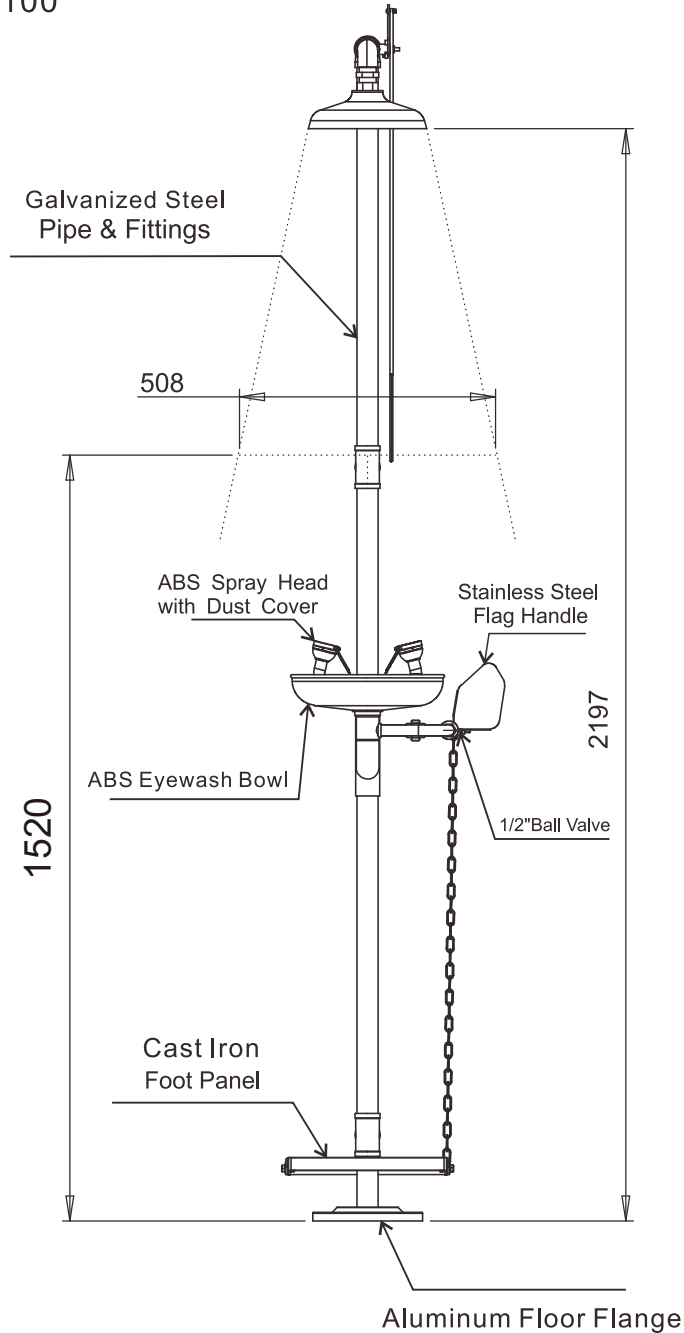
Eyewasher valve is making of 1/2"SS ball valve

- 6.**Pedestal:**Aluminum Pedestal
- 7.**Foot treadle:** Cast Iron
- 8.**Flow Valve build in to avoid secondary hurt**
- 9.**Water working pressure:**0.2MPA-0.8MPA
- 10.**Flow control:**76L/Min
- 11.**Standard:**EN 15154-1&2:2006,AS 4775:2007
- 12.**Gross Weight:**17.5KGS,**Net Weight:**16KGS
- 13.**Dimension:**91cm*41cm*30cm

Safety Shower & Eye Washer

Model: S100

Unit:mm



Standard Meet: EN 15154-1&2:2006

AS 4775:2007

ANSI Z358.1-2014